

# EquaScan iSD<sup>RF</sup>

Remotely inspectable smoke detector with 868 MHz wireless technology

The Itron EquaScan iSD<sup>RF</sup> smoke detector has been developed to meet the highest safety requirements. The regular function self-test equivalent to DIN14676 and integration into the EquaScan radio system offer the greatest possible convenience for apartment users and efficiency for building management.

## FEATURES

- » Regular function self-test (equivalent to DIN 14676)
- » Can be integrated into the EquaScan radio system (Walk-By and FNet)
- » Bidirectional wireless communication
- » 10-year battery
- » Attractive, user-friendly design
- » Comprehensive data protocol
- » Highest data security thanks to multiple encryption of data

## Safety and convenience

A smoke detector can save life! For this reason the most important fact is the proper functioning of the device. Itron ensures the proper function by a regular self-test of all relevant functions of the smoke detector. Thanks to the innovative Itron technology, the functionalities of the detector can be checked by RF.

Is the detector still mounted? Is the detector well positioned, so smoke can get into it? Are the smoke inlets free or already fully covered with dust?

## Comprehensive data protocol

The test report is sent by EquaScan wirelessly to the operator. It is not necessary to enter the apartment for a regular check of the detector.

- » Surrounding check
- » Monitoring the entry of smoke
- » Signal monitoring
- » Battery status
- » Tamper check

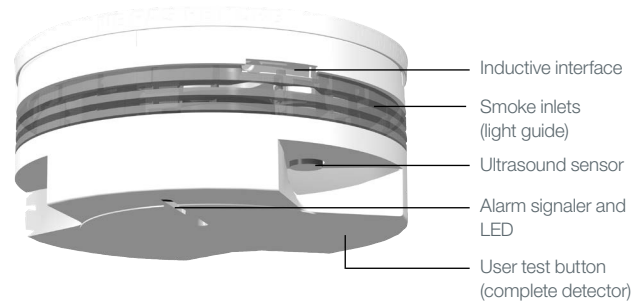
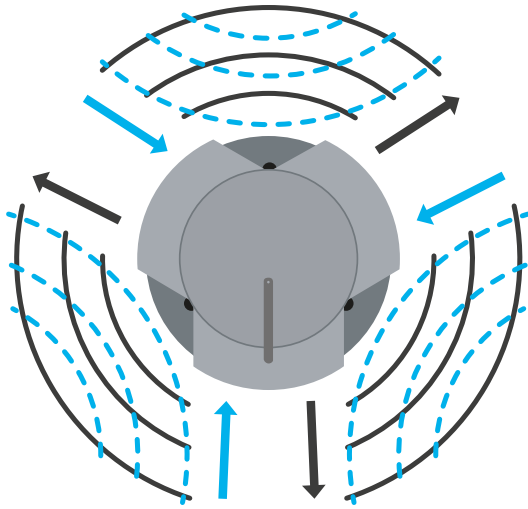
In addition, the data logger also records such things as the last 3 warnings regarding the surrounding detection as well as the last 3 warnings regarding the smoke entry opening with a time stamp.



## INNOVATIVE FUNCTIONS

The double check of the entry of smoke by means of the most up-to-date LED technology (=check of smoke inlet) and ultrasound scanning of the surrounding area of the smoke detector (= surrounding check) provide a high degree of safety. These checks ensure that smoke can reach the optical detection unit. A control lamp with a light sensor for night shows that the device is working.

### Principle surrounding check (Ultrasound scanning)

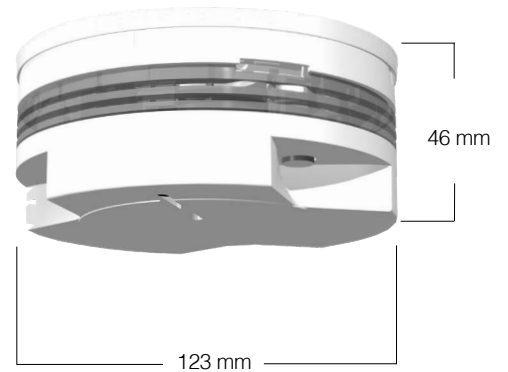


### Technical data

Characteristics	
CE conformity	EN14604:2005/AC:2008
Certificate	Q Label*
Test equivalent to DIN 14676:2012:09	Weekly functional test - Check surroundings per ultrasound - Double monitoring of smoke entry <ul style="list-style-type: none"> <li>• Entry to casing</li> <li>• Entry to smoke chamber</li> </ul> - Test alarm signaller - Test battery status - Test dismantling
Status notifications	Acoustic and visual (not at night)
Power supply	3V lithium battery
Battery life (typical)	10 years + reserve
Interface	Inductive interface
Protection class	IP 32
Radio specifications	
Protocol	EN 13757-3:2013 / EN 13757-4:2013 wireless M-Bus
Operating mode	C2 mode
Frequency band	Tx 868,95 MHz Rx 869,525 MHz
Transceiver	Transmitter: 8 dBm Receiver: -100 dBm
Duration of transmission telegram	<10ms
Transmission method	Bidirectional

\* under approval

### Dimensions



Join us in creating a more **resourceful world**.  
To learn more visit [itron.com](http://itron.com)

While Itron strives to make the content of its marketing materials as timely and accurate as possible, Itron makes no claims, promises, or guarantees about the accuracy, completeness, or adequacy of, and expressly disclaims liability for errors and omissions in, such materials. No warranty of any kind, implied, expressed, or statutory, including but not limited to the warranties of non-infringement of third party rights, title, merchantability, and fitness for a particular purpose, is given with respect to the content of these marketing materials. © Copyright 2018 Itron. All rights reserved. **SYS-0061.0-EN-11.18**

### ITRON METERING

Allmess GmbH  
Am Voßberg 11  
23758 Oldenburg i.H.  
Germany

**Phone:** +49 4361 625-0  
**Fax:** +49 4361 625-250